

MATERIAL: Self Extinguishing UL94VO THERMOPLASTICS

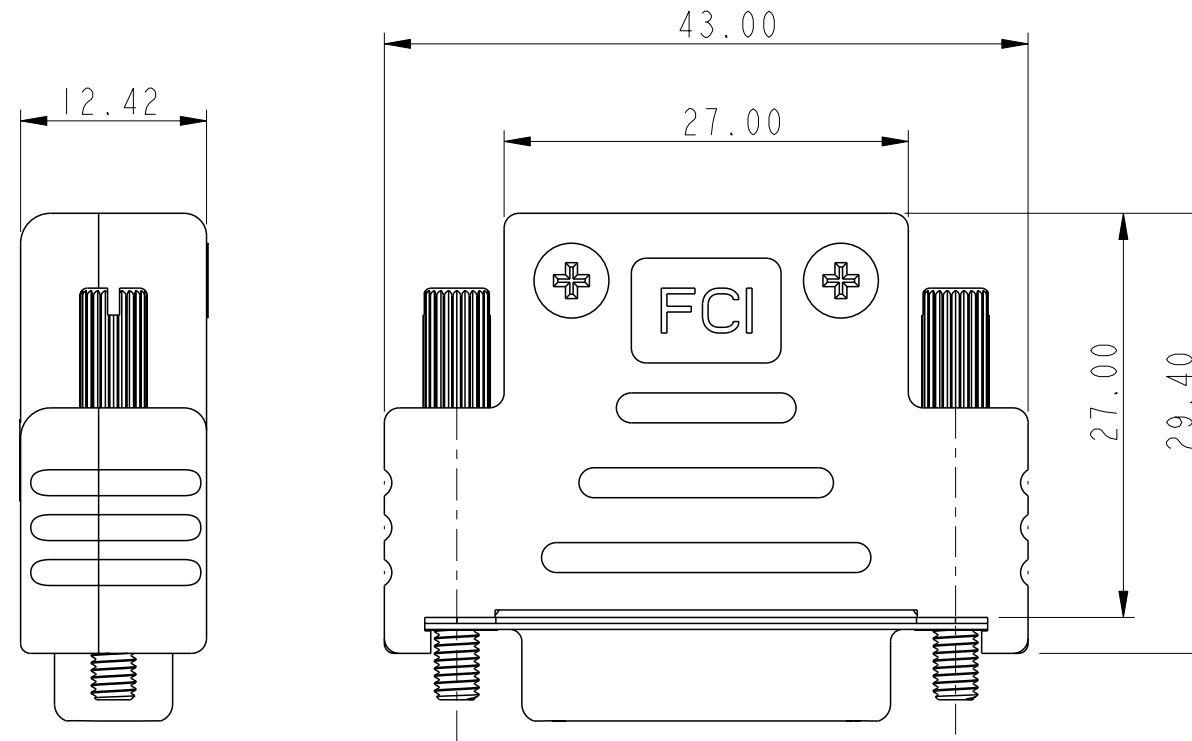
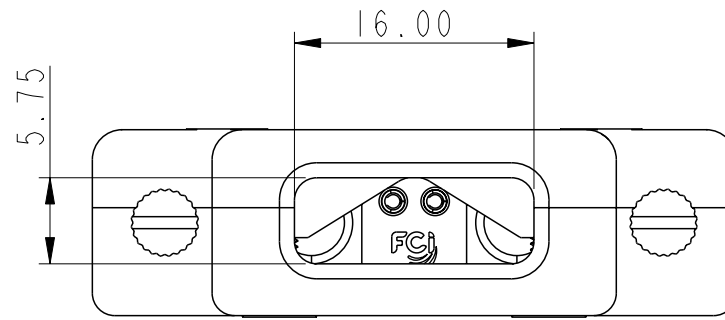
COLOUR : BLACK

TEMPERATURE RANGE : -55°C +105°C

LOCKING SCREWS : 4-40UNC THREAD

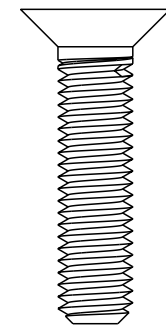
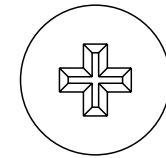
ROHS COMPLIANT

PART NO : 10070163-01LF



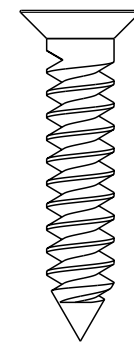
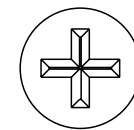
M3-CLAMP SCREW FOR STRAIN RELIEF

MATERIAL : STEEL
FINISH : Zn PASSIVATION



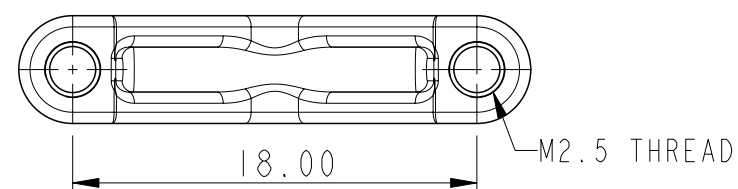
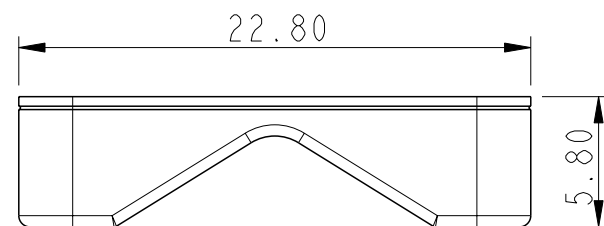
M3-CLAMP SCREW

MATERIAL : STEEL
FINISH : Zn PASSIVATION



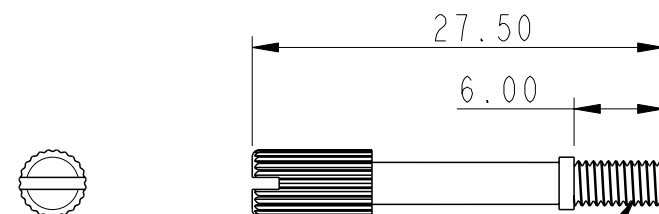
STRAIN RELIEF

MATERIAL : DIECAST-ZINC ALLOY



THUMB SCREW

MATERIAL : STEEL
FINISH : NICKEL PLATING



Straight Knurling on $\phi 4.5$
4 40UNC THREAD

www.fciconnect.com			surface - <input checked="" type="checkbox"/>	tolerance std	projection	mm	
			ISO 1302	ISO 406 ISO 1101			
TOLERANCES UNLESS OTHERWISE SPECIFIED						size	Scale
Dr	NIRMAL G	2007-02-21	ANGULAR	0.X	± 0.3		
Eng	NIRMAL G	2007-12-28	LINEAR	0.XX	± 0.1	ECN	107-0179
Chr	ANISH S	2007-12-28	$0^\circ \pm 1^\circ$	0.XXX	± 0.05		
Appr	BIJU K PAUL	2007-12-29	Product family		D-SUB	Spec ref	
FCI			-ST. HOOD & ACCESSORIES		dwg no	10070163	Rev.
			-MicroTCA_48V CONNECTOR HOOD				A
			catalog no	SEE NOTES	CUSTOMER	sheet 1 of 1	

rev	ecn no	dr	date
A	107-0179	NG	2007-12-29
-	-	-	-
-	-	-	-
-	-	-	-
-	-	-	-